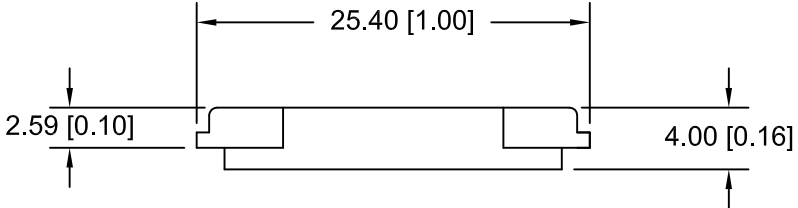
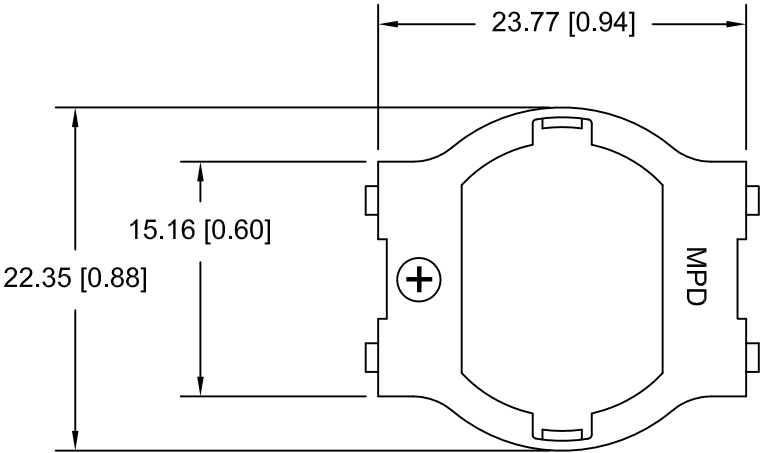



Date	SYM	REVISION RECORD	AUTH	DR.	CK.
02/17/12	A	Updated Specification	T.B.	B.S.	
03/09/12	B	Updated UL Rating	T.B.	B.S.	



SPECIFICATIONS:

* Material- Polypropylene, High environment stress crack resistance,
 Color Clear
 Flammability rating: UL94-HB, file no. E107536

Tolerance (Inches)	 Memory Protection Devices, Inc 200 Broad Hollow Road, Farmingdale, New York 11735		
Decimal ±.5 (.020)		Scale	Drawn By B.S.
Fractional ± .8 (.030)	Title COVER FOR BHSD-2032		
Angular ± 3°	Date 03/09/12	Drawing Number BHSD-2032-COVER	
		Approved By T.B.	